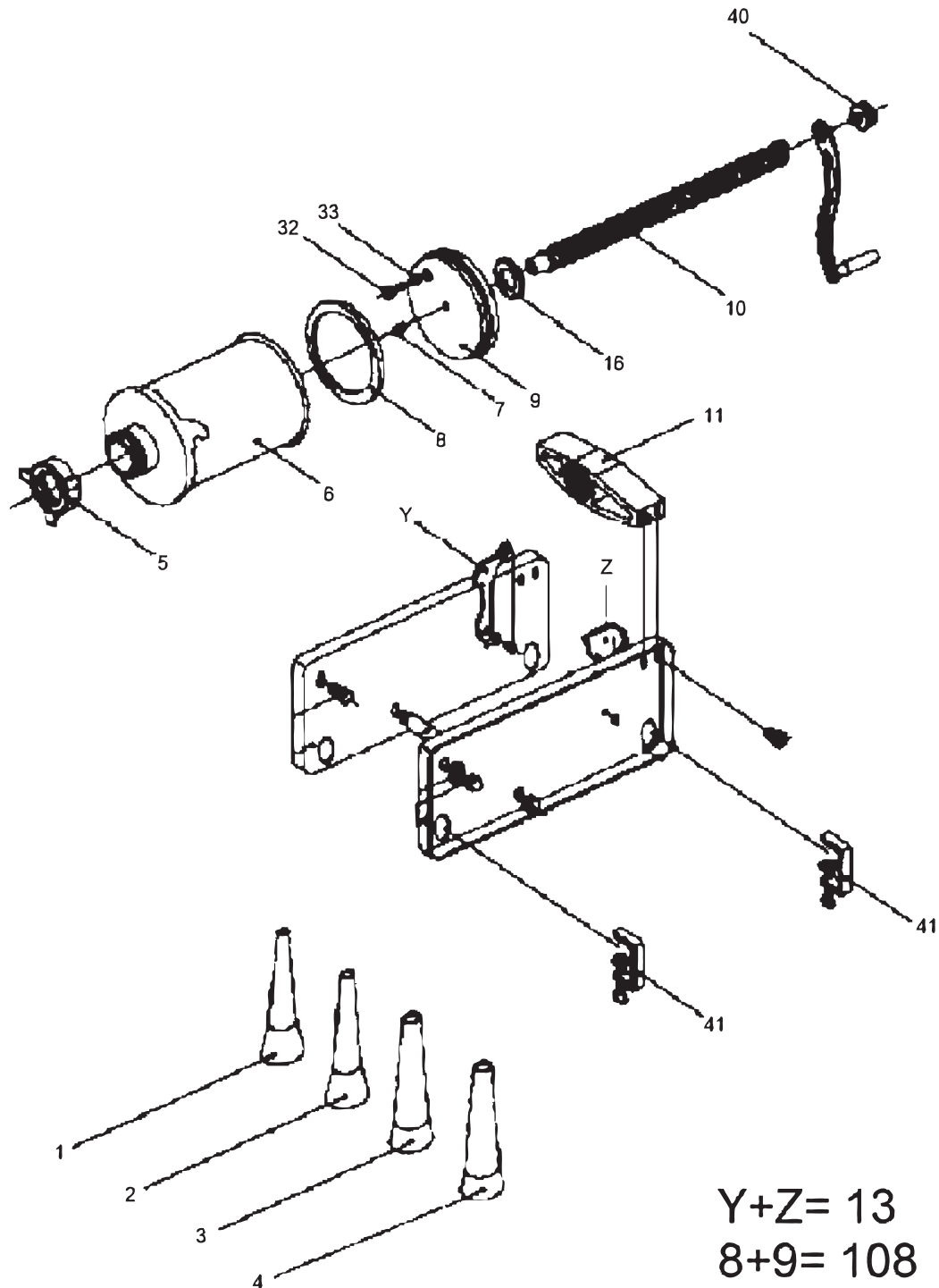


# Parts Breakdown

Item 13730



$Y+Z= 13$   
 $8+9= 108$   
 $32+33= 132$

# Parts Breakdown

---

## Item 13730

Item No.	Description	Position	Item No.	Description	Position	Item No.	Description	Position
10124	Plastic Spout 10mm for 13730	1	15270	Piston Screw for 13730	7	27635	Washer between Rack and Piston for 13730	16
10125	Plastic Spout 20mm for 13730	2	15274	Gasket Silicone for 13730	8	27670	Handle for 13730	23
10126	Plastic Spout 30mm for 13730	3	27633	Rack for 13730	10	78328	Handle Thumbscrew for 13730	40
10127	Plastic Spout 40mm for 13730	4	15271	Gear Block for 13730	11	15347	Set Screw (Clamp) for 13730	41
15279	Screw Ring for 13730	5	40543	Cylinder Holder Left 13/SX for 13730	13	15269	Piston and Gasket for 13730	108
21593	Cylinder for 13730	6	40544	Cylinder Holder Right 13/DX for 13730	13	15313	Air Valve and Spring for 13730	132